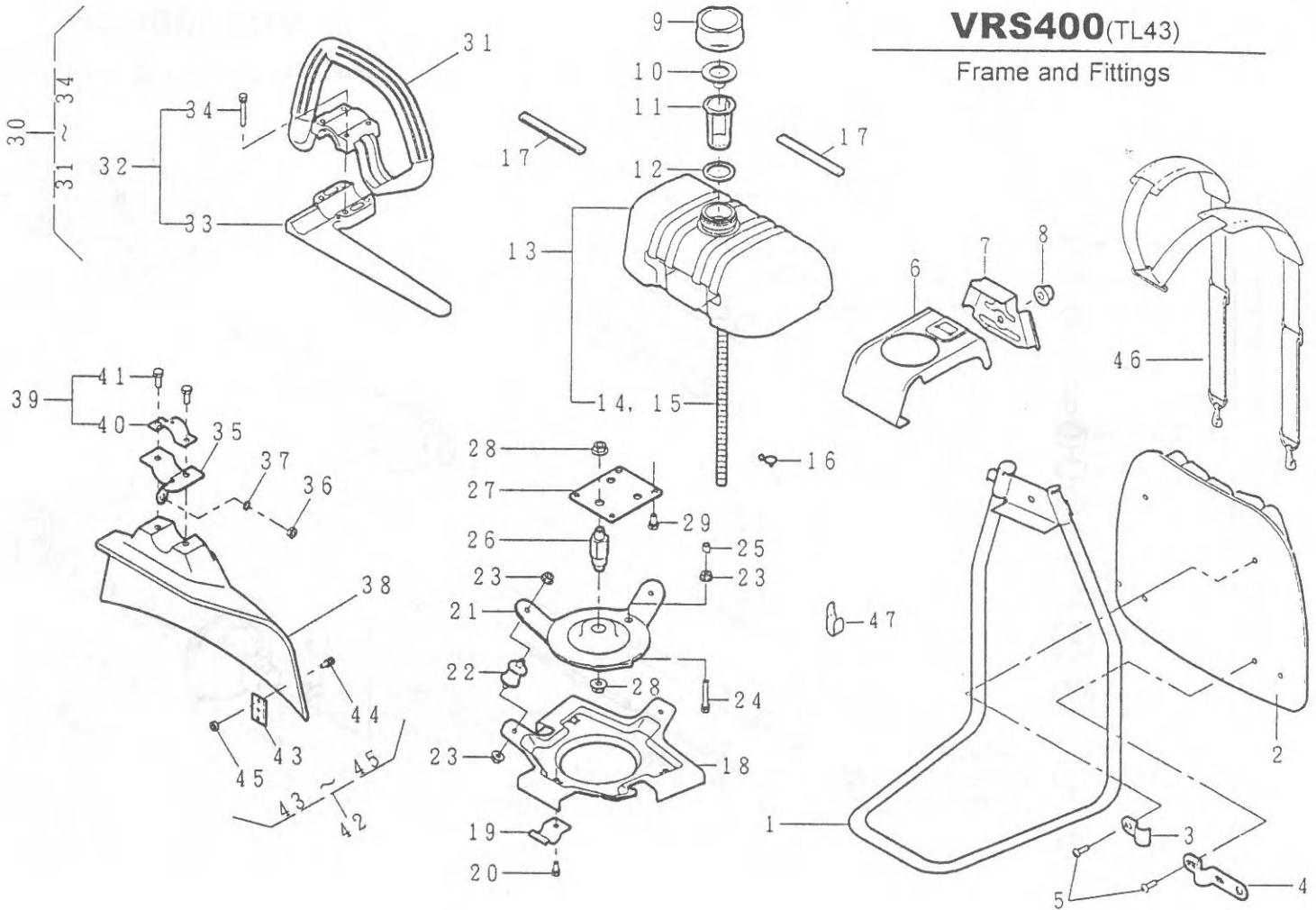


VRS400(TL43)

Frame and Fittings

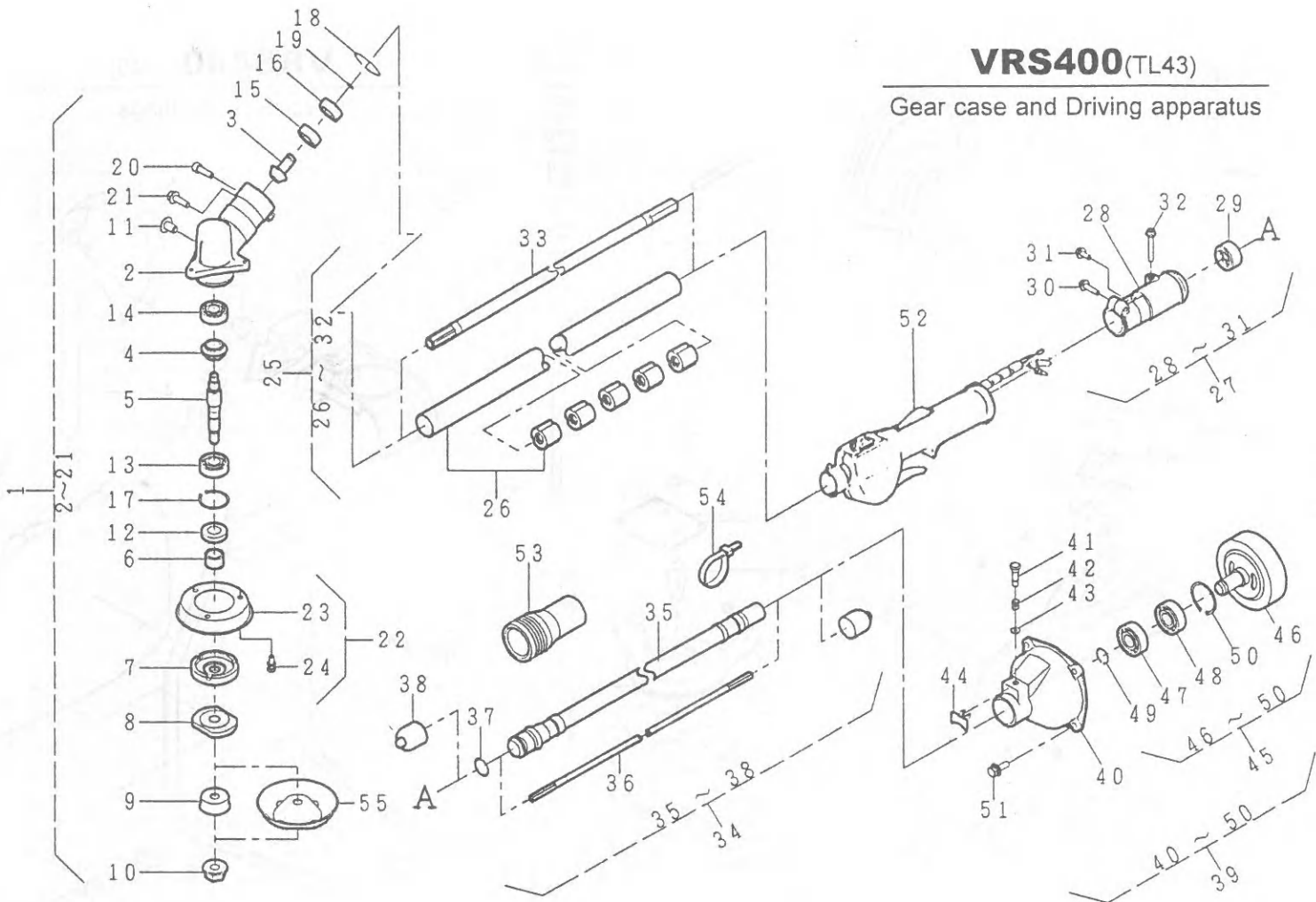


46013-584

REF. NO.	PARTS NO.	PARTS NAME	Q' TY	JUN. 1998		RECOMM. (%)	REMARKS
				INCLUDING	4 / 5		
1	36122 112 42	KNAPSACK FRAME	1			3	
2	91027 119	KNAPSACK PAD	1			3	
3	11021 101	KNAPSACK PAD FITTING	2			3	
4	11021 105	KNAPSACK PAD FITTING	2			3	
5	475L 0516	(+)TAPPING SCREW	M5×16	6		3	
6	11018 118	TANK STAY		1		3	
7	11113 273	STAY		1		3	
8	583L 0800	FLANGE CAP NUT	M8	1		3	
9	91095 108	TANK CAP		1		5	
10	91096 101	BREATHER		1		5	
11	36074 102	FUEL STRAINER		1		5	
12	61019 139	PACKING		1		5	
13	71141 105	FUEL TANK ASS'Y		1		3	
14	36013 117	FUEL HOSE		1		3	
15	68015 107	HOSE SPRING		1		3	
16	68031 124	HOSE BAND		1		3	
17	36006 104	ABSORBER		2		3	
18	11044 171	BASE		1		3	
19	11011 123	CLAMP		3		3	
20	318L 0512	(+)HEXAGON BOLT(W/SW)	M5×12	3		3	
21	11121 106 09	VIBRO-ISOLATING SUPPORT CP		1		3	
22	36005 111	VIBRO-ISOLATING RUBBER		3		9	
23	571L 0600	FLANGE NUT	M6	7		3	
24	315L 0630	(+)HEXAGON BOLT(W/SW, PW)	M6×30	1		3	
25	36015 101	STOPPER RUBBER		1		3	

VRS400(TL43)

Gear case and Driving apparatus



46013-584

REF. NO.	PARTS NO.	PARTS NAME	Q' TY	JUN. 1998		RECOMM. (%)	REMARKS
				INCLUDING	1/5		
1	71008 294	GEAR CASE ASS'Y	1			-	
2	51001 221	GEAR CASE	1			3	
3	78002 130	BEVEL PINION	1			5	
4	78001 102	BEVEL GEAR	1			5	
5	64001 144	SPLINE SHAFT	1			8	
6	61001 119	SPLINE SLEEVE	1			10	
7	11001 150	HOLDER(A)	1			10	
8	11002 126	HOLDER(B)	1			5	
9	36068 125	GUARD	1			12	
10	31001 106	SAW LOCK NUT	1			15	
11	377L 0810	(+)BINDING SCREW	M8×10	1		3	
12	61002 128	OIL SEAL	TC 17×32×8	1		10	
13	919B 6201	BEARING	6201C3	1		5	
14	913B 0629	BEARING	629	1		5	
15	913B 6000	BEARING	6000	1		5	
16	912B 6000	BEARING	6000ZZ	1		5	
17	811V 3200	C-SNAP RING FOR HOLE	φ32	1		4	
18	811V 2600	C-SNAP RING FOR HOLE	φ26	1		4	
19	812V 1000	C-SNAP RING FOR SHAFT	φ10	1		4	
20	419U 0630	SOCKET SCREW	M6×30	1		3	
21	335M 0512	FLANGE BOLT	M5×12	1		3	
22	71001 117	GRASS COVER SET		1		-	
23	11004 129 09	GRASS COVER		1		4	
24	318L 0510	(+)HEXAGON BOLT(W/SW)	M5×10	3		3	
25	71009 384	MAIN PIPE ASS'Y		1		-	

